

MCB 7

COMMANDER NAVAL CONSTRUCTION BATTALIONS
UNITED STATES ATLANTIC FLEET
DAVISVILLE, RHODE ISLAND 02854

CCBL:311:gds
3121
Ser 513
24 April 1968

From: Commander Naval Construction Battalions, U. S. Atlantic Fleet
To: Commanding Officer, U. S. Naval Mobile Construction Battalion
SEVEN

Subj: COMCBLANT Operation Order 16-68; forwarding of

Ref: (a) COMCBLANTINST 3121.3B

Encl: (1) COMCBLANT OPORD 16-68

1. In accordance with reference (a), enclosure (1) is forwarded for execution by the Commanding Officer, MCB SEVEN.



C. J. MATHEWS
By direction

Copy to:
(Same as Annex X
of Enclosure (1))

UNCLASSIFIED

OPERATION ORDER

COMCBLANT OPORD 16-68

COMMANDER NAVAL
CONSTRUCTION BATTALIONS
U. S. ATLANTIC FLEET
DAVISVILLE, RHODE ISLAND

REFERENCES:

- (a) OPNAVINST 5450.46D
- (b) COMCBLANTINST 3121.3B
- (c) COMCBLANTINST 1050.3G
- (d) NWIP 10-1-B
- (e) U. S. NAVY PUBLIC AFFAIRS REGULATIONS NAVSO P-1035
- (f) COMCBLANTINST 5720.1C

TASK ORGANIZATION: U. S. Naval Mobile Construction Battalion SEVEN
(Herein known as the Battalion)

1. SITUATION. In accordance with reference (a), the Battalion is undergoing a training and reorganizational period. As part of this training, the Battalion will conduct training in individual combat and military tactics at Camp Lejeune, North Carolina under the following conditions.

a. Enemy forces. None

b. Friendly forces. SERVLANT TWENTY-FIRST NCR
 FMFLANT CBC, DAVISVILLE
 MARCORBASE, CAMLEJ 2ND MARDIV

2. MISSION. Pursuant to reference (a), the Battalion is to deploy to Camp Lejeune, in conjunction with military training requirements for the operational readiness of Naval Construction Battalions.

3. EXECUTION. When directed in May 1968, the Battalion will depart CBC, Davisville, R. I. and deploy for a period of approximately three weeks. While in transit and during the training period, the Battalion will maintain readiness conditions required by its assigned contingency designation.

4. ADMINISTRATION AND LOGISTICS

a. Standard operational procedures, set forth by reference (b), will be followed.

b. Leave will be administered in accordance with reference (c).

UNCLASSIFIED
OPERATION ORDER
COMCBLANT OPOD 16-68

- c. Authority to deploy an advance party is granted.
- d. Logistics and equipment procedures, set forth in Annex B, will be followed.

5. COMMAND AND SIGNAL

- a. The Commanding Officer is hereby directed to report to CG, MARCORBASE, Camp Lejeune in accordance with Article 1324, U. S. Navy Regulations.
- b. Movement Reports will be made in accordance with reference (d).
- c. Submit requests to CG, MARCORBASE, Camp Lejeune for Communication Guard.
- d. Direct liaison is authorized with MARCORBASE and component activities.

ANNEXES:

- A TRAINING
- B LOGISTICS AND EQUIPMENT
- C PUBLIC AFFAIRS
- X DISTRIBUTION LIST
- Z RECORD OF CHANGES

By direction of the Commander:


C. J. MATHEWS
CDR, CEC, USN
Operations Officer

UNCLASSIFIED

OPERATION ORDER

COMCBLANT OPORD 16-68

COMMANDER NAVAL
CONSTRUCTION BATTALIONS
U. S. ATLANTIC FLEET
DAVISVILLE, RHODE ISLAND

ANNEX A
TRAINING

1. The Battalion will undergo training at Camp Lejeune during the period 20 May through 7 June 1968 as follows:

a. First Week

<u>Subject</u>	<u>Period</u>	<u>Type</u>
Individual Combat Training	1st of 2 Wks.	Rifle Platoon
Field Medical Training	1st of 2 Wks.	Medical/Dental
Field Communications	1st of 2 Wks.	Designated Personnel
Command Communications	1st of 2 Wks.	Designated Personnel
Officers/CPO Course	1st of 2 Wks.	All Officers & CPO's
Field Messing/Cooking	1st of 2 Wks.	Cooks and Stewards
<u>Special:</u>		
Communications Repair	1st of 2 Wks.	
Armorer	On the job training	
Mine Warfare		
Counter Insurgency	1st of 2 Wks.	
NCO Leadership School	1st Week Only	
Bridge Training	1st Week Only	

b. Second Week

Individual Combat Training	2nd of 2 Wks.	Rifle Platoon
Crew Served Weapons	2nd Week Only	Weapons Platoon
Field Medical Training	2nd of 2 Wks.	Medical/Dental
Field Communications	2nd of 2 Wks.	Designated Personnel
Command Communications	2nd of 2 Wks.	Designated Personnel
Field Messing/Cooking	2nd of 2 Wks.	Cooks and Stewards
Officer CPO Course	2nd of 2 Wks.	Staff Officers and Designated Personnel
<u>Special ET</u>	On the job training	
Mine Warfare		
Armorer	On the job training	
Counter Insurgency		

UNCLASSIFIED
OPERATION ORDER
COMCBLANT OPORD 16-68

c. Third Week

<u>Subject</u>	<u>Period</u>	<u>Type</u>
FEX	3 Days	All Hands
Parade		All Hands
SATS Demonstration		All Hands

By direction of the Commander:

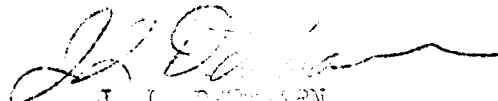

G. J. MATHEWS
CDR, CEC, USN
Operations Officer

U.S. NAVAL MOBILE CONSTRUCTION BATTALION SEVEN
Care of Fleet Post Office
New York, New York 09501

MCB7/CEM: jg
1500
ser. 797
6 May 1968

From: Commanding Officer, U. S. Naval Mobile Construction Battalion
SEVEN
To: Distribution List
Subj: MCB SEVEN Operation Order 28-68 (NMCB7 OPORD 28-68) (U)
Ref: (a) COMBLANT OPORD 16-68
Encl: (1) MCB OPORD 28-68 with annexes

1. In accordance with reference (a), MCB SEVEN will undergo military training at Camp Lejeune, North Carolina, for a period of about three weeks.
2. Enclosure (1) is the operation order covering Battalion operations during this training period and is promulgated for information.
3. Enclosure (1) is unclassified and may be burned without report. Extracts from this Operation Order are permitted without restraint or restriction.


J. L. DEBARN
Acting

Distribution:

Annex X of enclosure (1)

OPERATION ORDER
NMCB7 OPORD 28-68

Commanding Officer
U. S. Naval Mobile
Construction Battalion
SEVEN
Davisville, R.I.
070000Z May 68

- References: (a) COMBLANT OPORD 18-68
(b) COMBLANTINST 03510.2A
(c) NLCBSEVENTINST 003510.2
(d) COMBLANTINST 03510.1C
(e) NLCBSEVENTINST 03510.1B
(f) COMBLANTINST 3121.3C
(g) COMBLANTINST 1050.3G
(h) Article 1324, U. S. Navy Regulations
(i) NWIP 10-1(B)

Time Zone: QUEBEC (+4 hours for ZULU)

Task Organization: NMCB SEVEN (herein known as the Battalion). See Annex A, (Task Organization).

1. SITUATION. In accordance with reference (a), the Battalion will depart for Camp Lejeune (CAMLEJ), North Carolina, on or about 17 May 1968 for a period of advanced military training during a three week period. The host at Camp Lejeune will be the First Battalion, Eight Marine Regiment, (1/8).

a. Enemy forces. None

b. Friendly forces.

SERVLANT	COMBLANT
FMFLANT	COM21NCR
MARCORBASE, CAMLEJ	NMCB ONE
2nd MARDIV	NMCB SIX
CBCDVILLE	1/8 MARINES

c. Attachments. None contemplated.

d. Detachments. NMCB SEVEN Rear Party
NMCB SEVEN Rear Echelon
SEABEE Teams 0703 & 0704

2. MISSION. Undergo advanced military training conducted by the First Battalion, Eight Marine Regiment at Camp Lejeune, North Carolina, in preparation for a forthcoming deployment.

3. EXECUTION. When directed on or about 17 May 1968, the Battalion will commence movement to Camp Lejeune, North Carolina and begin military training for a period of about three weeks. During transit and training, the Battalion will maintain the capability to fulfill its commitment as NMCB ALFA in accordance with references (b), (c), (d) and (e), and be able to provide Disaster Recovery Forces as directed.

OPERATION ORDER
NMCB7 OPORD 28-68

- a. Task Organization. See Annex A (Task Organization).
- b. Training. See Annex B (Training).
- c. Concept of Operations. See Annex C (Concept of Operations).
- d. Embarkation. See Annex E (Embarkation).
- e. Advance Party/ Convoy. See Annex M (Advance Party/ Convoy).
- f. Transportation/Equipment. See Annex T (Transportation/Equipment).
- g. Coordinating Instructions. See also, Annexes F (Rear Party), G (General Information), H (Medical/Dental), J (Barracks Maintenance), K (Barracks Security) and P (PAO).
- h. This Operation Order is effective for planning upon receipt, and for execution when directed on or about 17 May 68.

4. ADMINISTRATION AND LOGISTICS.

- a. Adhere to standard operational procedures and logistics information promulgated by reference (f).
- b. Leave policy is in accordance with reference (g).
- c. Advance party support is outlined in Annex M (Advance Party/ Convoy).
- d. See Annex D (ADMIN/PERS).
- e. See Annex L (Logistics).
- f. See Annex F (Rear Party).
- g. See Annex T (Transportation).
- h. See Annex N (Communications) and O (Ordnance).

5. COMMAND AND COMMUNICATIONS.

- a. The order to execute this Operation Order will be given by CO, NMCB7.
- b. Headquarters locations: CBC Davisville, Bldg. 118.
Camp Lejeune, North Carolina,
Bldg. number to be promulgated.
- c. The CO, NMCB SEVEN will report directly to the CG, MARCORBASE, Camp Lejeune, North Carolina, in accordance with references (a) and (h).

OPERATION ORDER
MINOR7 OPORD 28-68

d. Direct liason with MARCORBASE and component activities is authorized while the Battalion is deployed to CAMLEJ.

e. Movement Reports (MOVREPS) will be made in accordance with reference (A) and will be initiated by the Operations Officer.

f. Communications will be in accordance with Annex N (Communications).

g. Telephone numbers for coordination of activities are located in applicable portions of this Operation Order.

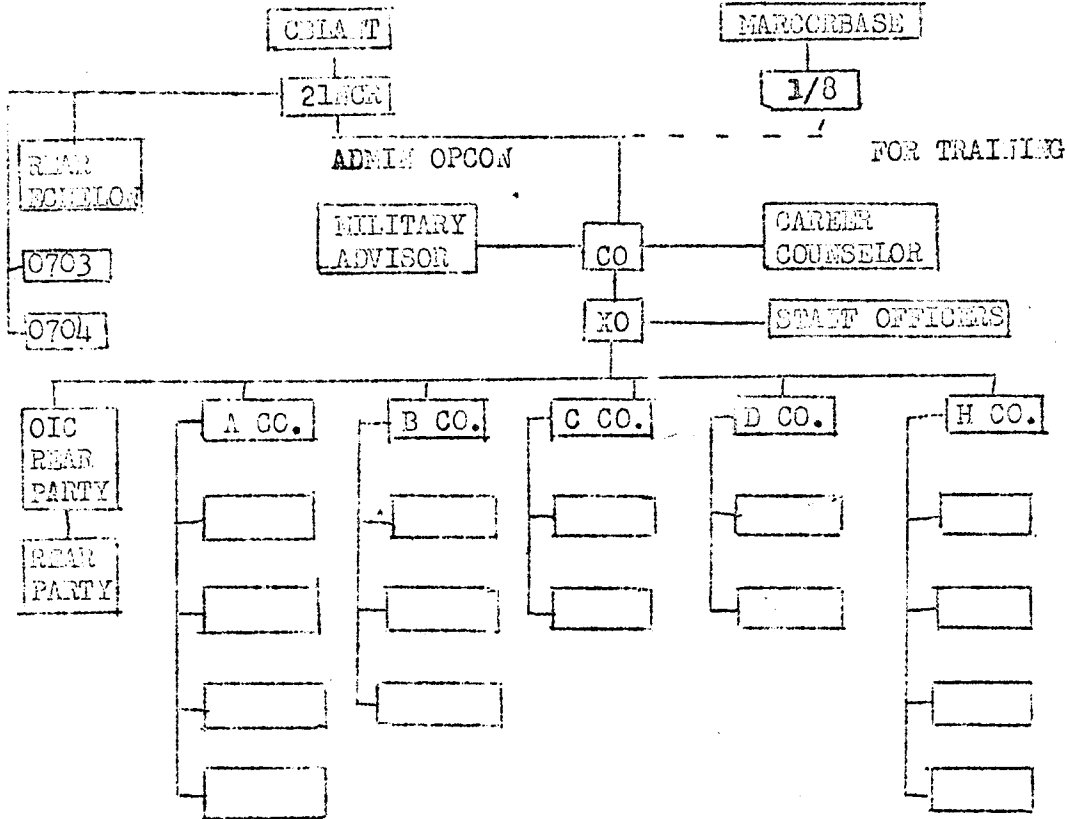
h. The Communications Officer will initiate the request for changes to communications guard for the affected period. CG, MARCORBASE will be requested to guard for Battalion traffic during the period when the Battalion will be located in Camp Lejeune, North Carolina, and CBC, Davisville will be requested to guard during the period prior to, and following, the deployment to Camp Lejeune, North Carolina.


J. L. DETTBARN
Acting

ANNEXES

A TASK ORGANIZATION
B TRAINING
C CONCEPT OF OPERATIONS
D ADMIN/PECS
E EMBARKATION
F REAR PARTY
G GENERAL INFORMATION
H MEDICAL/DENTAL
J BARRACKS MAINTENANCE
K BARRACKS SECURITY
L LOGISTICS
M ADVANCE PARTY/CONVOY
N COMMUNICATIONS
O ORDNANCE
P PAO
T TRANSPORTATION/EQUIPMENT
X DISTRIBUTION

ANNEX A
 TASK ORGANIZATION



- | | | | |
|---------------------|----------------------|-------|---------------------|
| CO | CDR L. D. LAWSON | A CO. | LCDR L. A. KURTZ |
| XC | LCDR J. L. DETTBARN | B CO. | LTJG G. E. RICHBY |
| S-1 | LTJG J. E. McDERMOTT | C CO. | LTJG W. L. ZAIST |
| S-2 | LT G. D. GREENE | D CO. | LTJG J. H. SOMES |
| S-3 | LCDR G. H. GARDNER | H CO. | LTJG J. E. McDEMOTT |
| S-4 | LT M. H. COX | OIC | |
| PAC / Spec Services | ENS E. S. SWAN | REAR | |
| CHAPLAIN | LTJG O'CONNOR | PARTY | LTJG R. P. JOWAISAS |
| MEDICAL | LT STOLL | | |

J. L. Detbarn
 J. L. DETTBARN
 Acting

UNCLASSIFIED

OPERATION ORDER
MCS7 OPORD 28-68

COMMANDING OFFICER
MPCB SEVEN
Davisville, R.I.
070800Q May 68

ANNEX B

TRAINING

1. The Battalion will undergo training at Camp Lejeune during the period 20 May-7 June 68. Breakdown of individual training periods including personnel assignment and responsibilities will be published at CAMP LEJ as Appendix I to this Annex, (published separately) (NOTAL). The purpose of this homeport training phase is to provide the individual SEABEE with additional military knowledge, to develop within the unit leaders the ability to tactically employ troops and demonstrate leadership capabilities and to provide a period of Battalion military training.

a. FIRST WEEK

<u>Subject</u>	<u>Period</u>	<u>Type</u>
Individual Combat Training	1st of 2 wks	Rifle Platoon
Field Medical Training	1st of 2 wks	Medical/Dental
Field Communications	1st of 2 wks	Designated Personnel
Command Communications	1st of 2 wks	Designated Personnel
Officers/CFO Course	1st of 2 wks	All Officers and CFOs
Field Messing/Cooking	1st of 2 wks	Cooks and Stewards

<u>Special</u>	
Communications Repair	1st of 2 wks
Mine Warfare	
Counterinsurgency	1st of 2 wks
NCO Leadership	1st week only
Bridge Training	1st week only

b. SECOND WEEK

Individual Combat Training	2nd of 2 wks	Rifle Platoon
Crew Served Weapons	2nd week only	Weapons Platoon
Field Medical Training	2nd of 2 wks	Medical/Dental
Field Communications	2nd of 2 wks	Designated Personnel
Command Communications	2nd of 2 wks	Designated Personnel
Field Messing/Cooking	2nd of 2 wks	Cooks and Stewards
Officers/CFO Course	2nd of 2 wks	Staff Officers and Designated Personnel

Special ET	OJT
Mine Warfare	
Armorer	OJT
Counterinsurgency	

c. THIRD WEEK

FEX	3 days
Parade	
SATS Demonstration	

UNCLASSIFIED

OPERATION OPCODE
MOB7 OPCODE 28-68

2. Organization. The Battalion shall be divided by Companies as shown in Appendix I (Training Syllabus) for the three phases of military training, but the normal Battalion organization will remain intact for all other functions.

3. Responsibilities.

a. The "A" Company Commander shall arrange for and coordinate all Battalion transportation. Transportation will be provided so that the class schedules listed in Appendix I to this Annex can be maintained. Additional transportation requirements will be coordinated with I/O.

b. Company Commanders are responsible for having all Company personnel at the place of instruction at the designated times shown in Appendix I.

c. The S-4 is responsible for arranging for meals and/or providing box lunches or C rations for Battalion personnel in accordance with the training schedule. Commuted rations will be checked during this deployment.

d. The S-2 is responsible for overall co-ordination of the training effort while at Camp Lejeune. In addition, the S-2 will publish weekly training schedules and those items published separately from this OPCODE.

e. The S-2 will distribute to all Company Commanders the quotas granted to MOB7 for personnel to attend specialized courses, as well as the number of teams and personnel required to man crew-served weapons. Company Commanders shall provide S-2 rosters of personnel attending designated schools.

f. The Medical Officer shall detail 1 field medic per company to undergo training and provide medical support. These field medics will be equipped with standard Unit - 1 kits.

g. The S-3 will develop a grading system for Company standings in the Color Company competition, coordinating results from TD reports.

h. Additional responsibilities are defined throughout this OPCODE.

4. Coordinating Instructions.

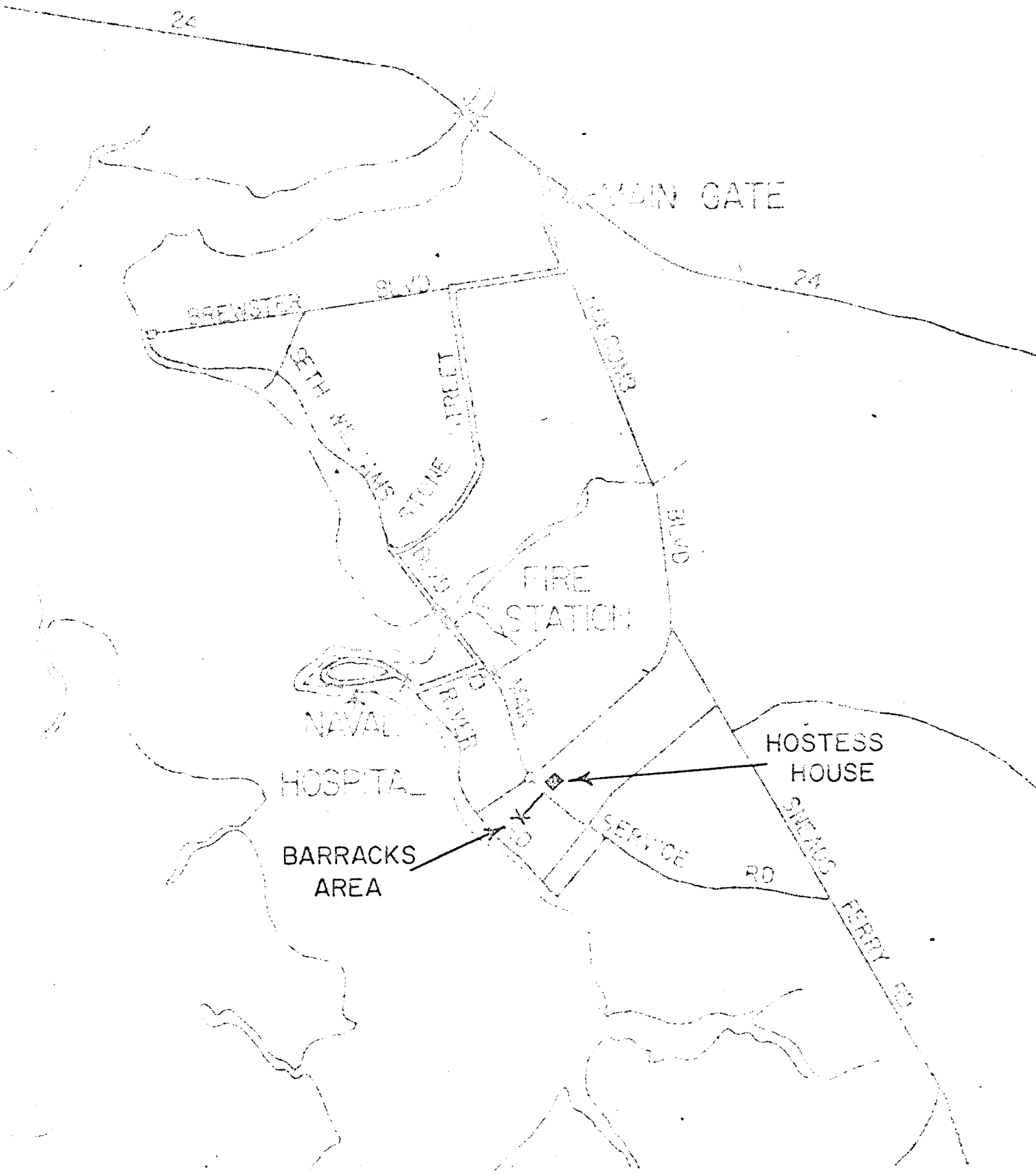
a. The senior officer or petty officer present from each Company shall insure that all training areas/locations are properly policed before securing from any unit exercise or function.

b. Insofar as possible, Company Commanders and Company Chiefs will undergo training with their Companies.

c. The military training instructors are responsible only for administering periods of instruction.

OPERATION ORDER

NMCB 7 OPORD 28-68



UNCLASSIFIED

OPERATION CANLEJ
NOB7 OPORD 29-68

- d. All personnel shall carry a notebook and pencil to class.
 - e. Upon arrival at CANLEJ, all Officers will study Regimental Order P11102.1B, Range Safety Regulations, to qualify as Range Officers.
 - f. Information regarding personnel berthing in areas other than that occupied by the main body of the Battalion will be disseminated upon arrival at CANLEJ.
- g. The S-2 will ensure that sufficient equipment and materials are taken to CANLEJ to enable the Training Office to conduct normal planning and military training functions. During the period the Battalion is deployed to CANLEJ, no correspondence courses or educational matters will be handled.


J. L. DETTBAW
Acting

APPENDICES

- I Training Schedules (published separately) (NOTAL)
- II Area Maps